

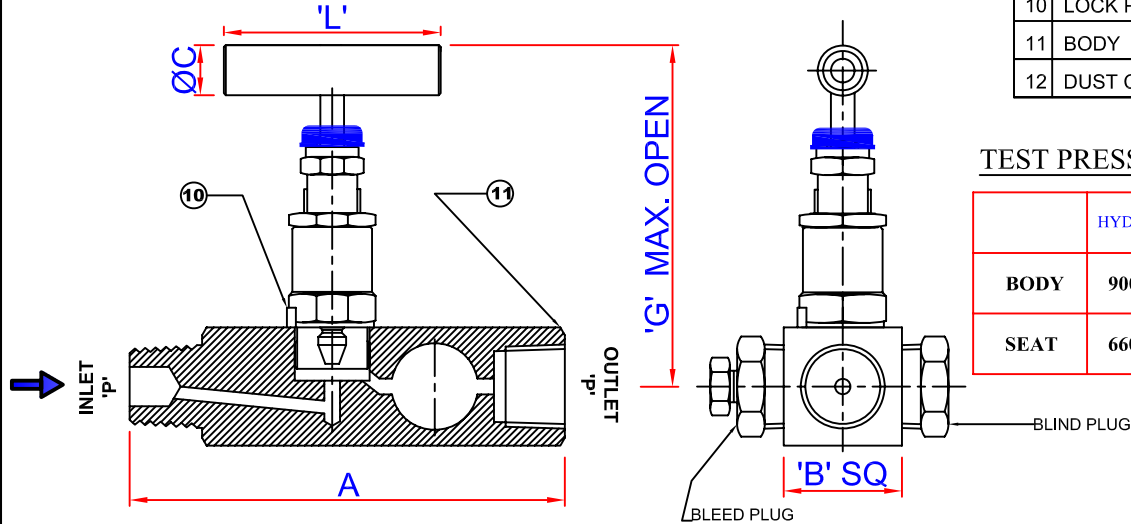
NOTE: DIFFERENT END CONNECTIONS AND MATERIAL GRADES OFFERED ON REQUEST.

DESIGN FEATURES :

- STEM SEAL BELOW ACTUATING THREADS TO PREVENT CONTAMINATION, GAULING OF THREADS.
- METAL TO METAL BONNET SEAL FOR PRESSURE TIGHTNESS EVEN AT ELEVATED TEMPERATURES.

BONNET ASSEMBLY :

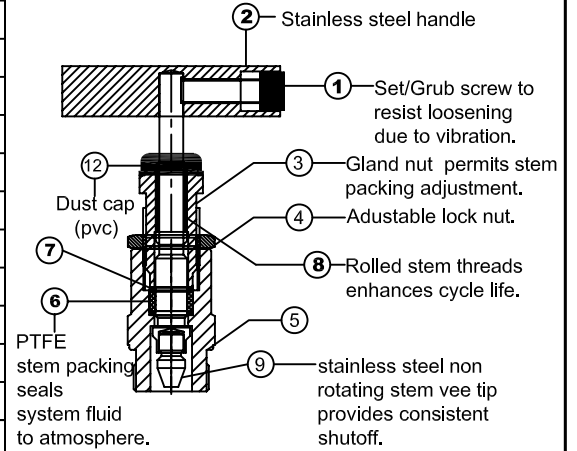
- SCREWED BONNET DESIGN.
- SPINDLE - GROUND & THREAD ROLLED.
- SPINDLE TIP - NON ROTATING VEE TIP SHUT OFF TYPE
- BONNET PUSHER - DULY MACHINED FOR SMOOTH STEM CYCLE.
- DUST CAP - PROTECTS STEM THREADS FROM EXTERNAL CONTAMINATION.



PART NOS.	ORIFICE : ØE						
	P	B	A	G	L	ØC	ØE
IVI - MLT - MF - 4	1/4"	1"	90	70.5	50	10	4
IVI - MLT - MF - 6	3/8"	1"	90	70.5	50	10	4
IVI - MLT - MF - 8	1/2"	30	110	86	60	11	4
IVI - MLT - MF - 10	3/4"	36	110	93	60	16	6
IVI - MLT - MF - 12	1"	45	115	98	60	16	7

NO	DESCRIPTION	QTY	MATERIAL
1	SET SCREW	1	SS
2	HANDLE	1	SS
3	GLAND NUT	1	SS 316
4	LOCK NUT	1	SS
5	BONNET	1	SS 316
6	GLAND PACKING	1	PTFE
7	WASHER	2	SS 316
8	STEM	1	SS 316
9	DISC	1	SS 316
10	LOCK PIN	1	SS
11	BODY	1	SS 316
12	DUST COVER	1	PVC

DETAILS OF SUB-ASSY



TEST PRESSURES:

	HYDRAULIC	PNEUMATIC (NITROGEN)
BODY	9000 PSI	1000 PSI
SEAT	6600 PSI	1000 PSI

FEATURES :

- SIZE :
- WORKING PRESSURE : 6000 PSI
- TEMPERATURE RATING : PTFE 450° F (232° C).
- MATERIAL OF CONSTRUCTIONS : SS 316.
- ORIFICE: Ø 4mm
- STEM PACKING : PTFE.
- CHOICE OF PACKING MATERIALS FOR ELEVATED TEMPERATURES.
- ALL VALVES ARE 100% FACTORY TESTED.

TESTING :

- HYDROSTATIC SHELL TEST IS PERFORMED AT 1.5 TIMES THE WORKING PRESSURE.
- OPTIONAL TESTS ARE AVAILABLE ON REQUEST.

LUBRICATION :

- DYE MOLLY SULPHIDE.

CLEANING & PACKAGING :

- ALL COMPONENTS ARE ULTRASONICALLY CLEANED PRIOR TO ASSEMBLY & TESTING.

SIZE :

MULTIPOINT NEEDLE VALVE

BY	DATE	DIMENSIONS ARE FOR REFERENCE ONLY & SUBJECT TO CHANGE
PRASHANT	14/08/2009	
RD	14/08/2009	MODEL . NO :- IVI-MLT-MF
RD	14/08/2009	



INDUSTRIAL VALVES
MUMBAI - 64