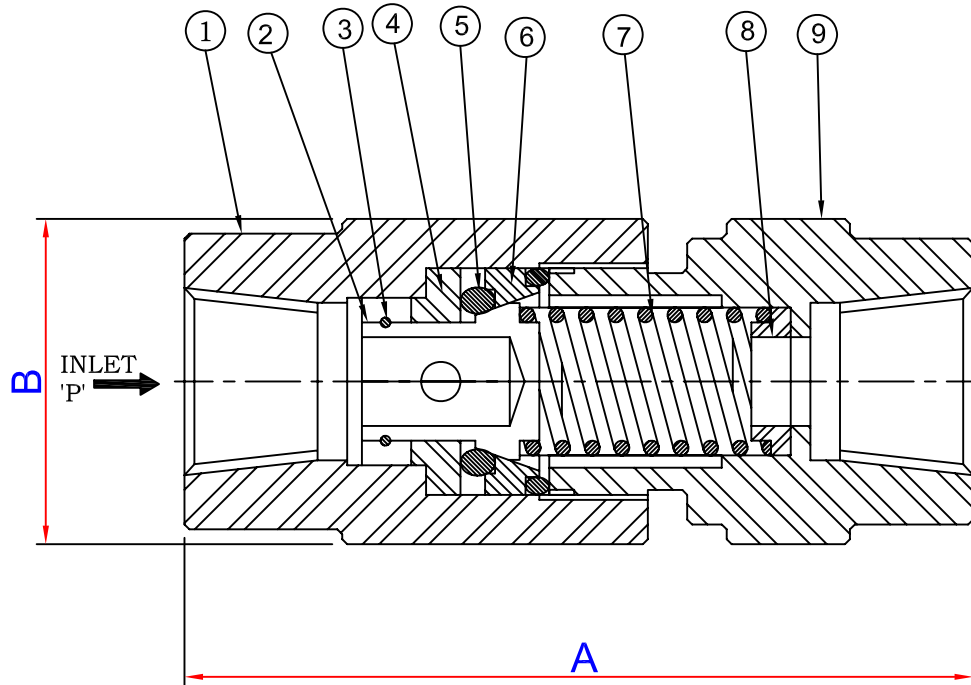


PART NOS.	P	B	A
IVI - NPT - FF	1/4"	HEX22	73
IVI - NPT - FF	3/8"	HEX22	73
IVI - NPT - FF	1/2"	HEX32	88.50

Sr No.	PART DESCR.	PART DESCR.
1	FEMALE BODY	SS316
2	POPPET	SS316
3	LOCK RING	SS
4	SEAT RING	SS 316
5	O RING	VITON
6	PACKING RING	VITON
7	SPRING	SS
8	SEAT RING	SS 316
9	ADAPTER	SS 316



SIZE :

INLINE CHECK VALVE

	BY	DATE	DIMENSIONS ARE FOR REFERENCE ONLY & SUBJECT TO CHANGE
DRAWN	PRASHANT	14/08/2009	
CHD.	RD	14/08/2009	MODEL . NO :- IVI-IN-CV
APPRD.	RD	14/08/2009	



INDUSTRIAL VALVES
MUMBAI - 64