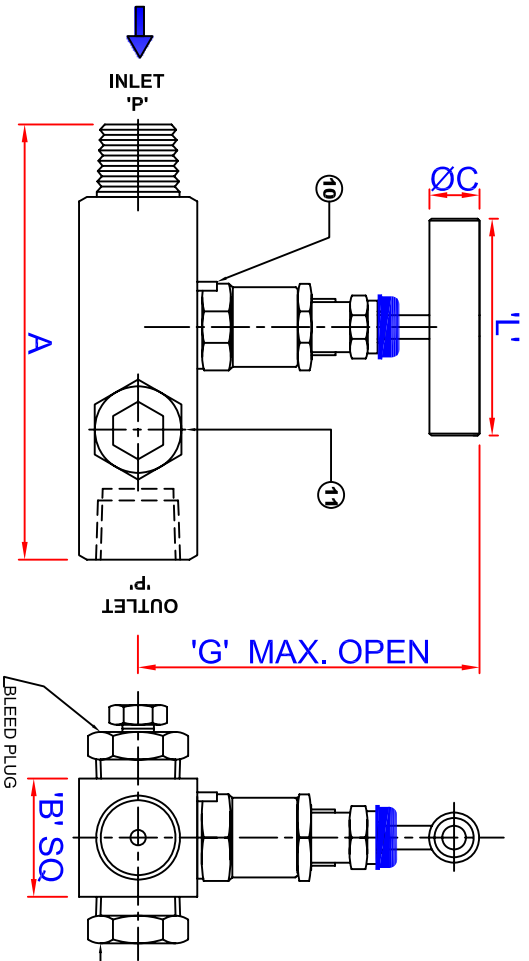


**NOTE:** DIFFERENT END CONNECTIONS AND MATERIAL GRADES OFFERED ON REQUEST.

**DESIGN FEATURES :**  
 -STEM SEAL BELOW ACTUATING THREADS TO PREVENT CONTAMINATION, GAULING OF THREADS.  
 -METAL TO METAL BONNET SEAL FOR PRESSURE TIGHTNESS EVEN AT ELEVATED TEMPERATURES.

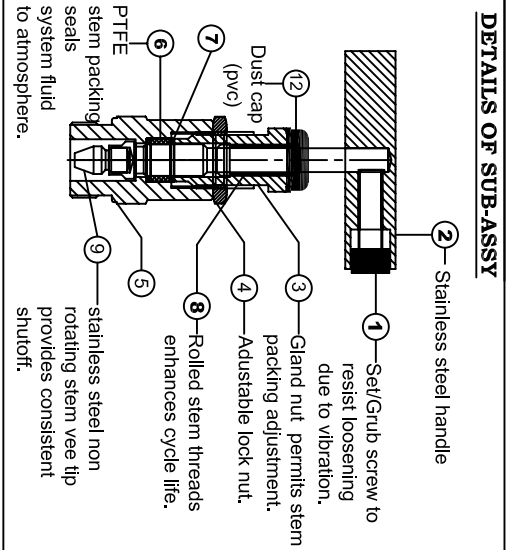
**BONNET ASSEMBLY :**  
 -SCREWED BONNET DESIGN.  
 -SPINDLE - GROUND & THREAD ROLLED.  
 -SPINDLE TIP - NON ROTATING VEE TIP SHUT OFF TYPE  
 -BONNET PUSHER - DULY MACHINED FOR SMOOTH STEM CYCLE.  
 -DUST CAP - PROTECTS STEM THREADS FROM EXTERNAL CONTAMINATION.



PART NOS.	P	B	A	G	L	ØC	ØE
MTP - MF - 4	1/4"	1"	90	70.5	50	10	4
MTP - MF - 6	3/8"	1"	90	70.5	50	10	4
MTP - MF - 8	1/2"	30	110	86	60	11	4
MTP - MF - 10	3/4"	36	110	93	60	16	6
MTP - MF - 12	1"	45	115	98	60	16	7

ORIFICE : ØE

NO	DESCRIPTION	QTY	MATERIAL
1	SET SCREW	1	SS
2	HANDLE	1	SS
3	GLAND NUT	1	SS 316
4	LOCK NUT	1	SS
5	BONNET	1	SS 316
6	GLAND PACKING	1	PTFE
7	WASHER	2	SS 316
8	STEM	1	SS 316
9	DISC	1	SS 316
10	LOCK PIN	1	SS
11	BODY	1	SS 316
12	DUST COVER	1	PVC



**TEST PRESSURES:**

	HYDRAULIC	PNEUMATIC (NITROGEN)
BODY	9000 PSI	1000 PSI
SEAT	6600 PSI	1000 PSI

**FEATURES :**

- SIZE :
  - WORKING PRESSURE : 6000 PSI
  - TEMPERATURE RATING : PTFE 450° F (232° C).
  - MATERIAL OF CONSTRUCTIONS : SS 316.
  - ORIFICE: Ø 4mm
  - STEM PACKING : PTFE.
  - CHOICE OF PACKING MATERIALS FOR ELEVATED TEMPERATURES.
  - ALL VALVES ARE 100% FACTORY TESTED.
- TESTING :**
- HYDROSTATIC SHELL TEST IS PERFORMED AT 1.5 TIMES THE WORKING PRESSURE.
  - OPTIONAL TESTS ARE AVAILABLE ON REQUEST.
- LUBRICATION :**
- DYE MOLLY SULPHIDE.
- CLEANING & PACKAGING :**
- ALL COMPONENTS ARE ULTRASONICALLY CLEANED PRIOR TO ASSEMBLY & TESTING.

**SIZE :**

**MULTI-PORT NEEDLE VALVE**

BY	DATE	DIMENSIONS ARE FOR REFERENCE ONLY & SUBJECT TO CHANGE
DRAWN	14/08/2009	
CHD.	14/08/2009	MODEL . NO :- IIV-MLT-MF
APPRD.	RD	14/08/2009