

**NOTE:** DIFFERENT END CONNECTIONS AND MATERIAL GRADES OFFERED ON REQUEST.

**DESIGN FEATURES :**

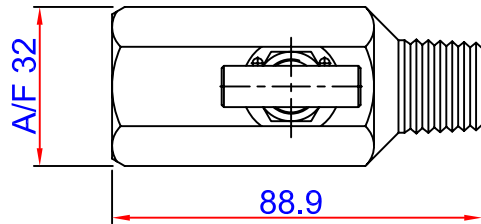
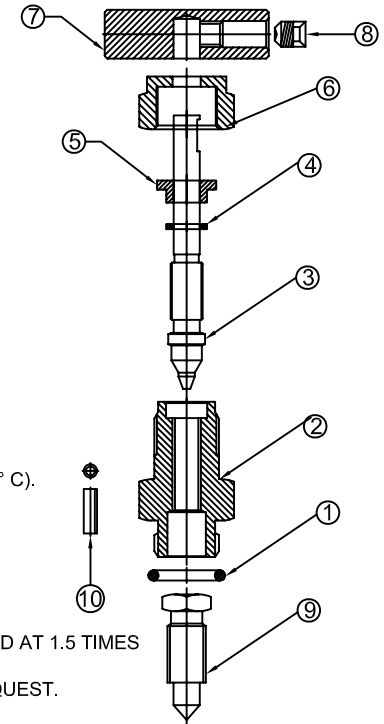
- STEM SEAL BELOW ACTUATING THREADS TO PREVENT CONTAMINATION, GAULING OF THREADS.
- METAL TO METAL BONNET SEAL FOR PRESSURE TIGHTNESS EVEN AT ELEVATED TEMPERATURES.

**BONNET ASSEMBLY :**

- SCREWED BONNET DESIGN.
- SPINDLE - GROUND & THREAD ROLLED.
- BONNET PUSHER - DULY MACHINED FOR SMOOTH STEM CYCLE.

BILL OF MATERIAL			
SR. NO.	DESCRIPTION	QTY	MATERIAL
1	'O' RING	1	VITON
2	BONNET	1	SS 316
3	SPINDLE	1	SS 316
4	SPACER	1	SS 316
5	GLAND PACKING	1	PTFE
6	GLAND NUT	1	SS 316
7	HANDLE	1	SS
8	GRUB SCREW	1	SS
9	DRAIN PLUG	1	SS 316
10	DOWEL PIN	1	SS
11	BODY	1	SS 316

**DETAILS OF SUB ASSY**



**TEST PRESSURES:**

	HYDRAULIC	PNEUMATIC (NITROGEN)
BODY	9000 PSI	1000 PSI
SEAT	6600 PSI	1000 PSI

**FEATURES :**

- WORKING PRESSURE : 6000 PSI
- TEMPERATURE RATING : PTFE 450° F (232° C).
- MATERIAL OF CONSTRUCTIONS : SS 316.
- STEM PACKING : PTFE.
- CHOICE OF PACKING MATERIALS FOR ELEVATED TEMPERATURES.
- ALL VALVES ARE 100% FACTORY TESTED.

**TESTING :**

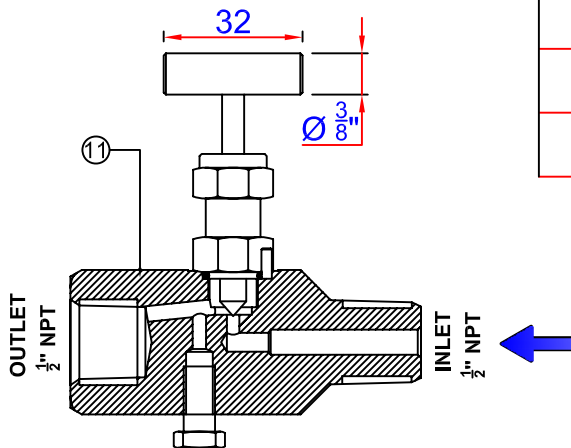
- HYDROSTATIC SHELL TEST IS PERFORMED AT 1.5 TIMES THE WORKING PRESSURE.
- OPTIONAL TESTS ARE AVAILABLE ON REQUEST.

**LUBRICATION :**

- DYE MOLLY SULPHIDE.

**CLEANING & PACKAGING :**

- ALL COMPONENTS ARE ULTRASONICALLY CLEANED PRIOR TO ASSEMBLY & TESTING.



SIZE : 1/2" NPT

**DRAIN NEEDLE VALVE**

	BY	DATE	DIMENSIONS ARE FOR REFERENCE ONLY & SUBJECT TO CHANGE
DRAWN	PRASHANT	06/01/2010	
CHD.	RD	06/01/2010	MODEL . NO :- IVI-NV-DR
APPRD.	RD	06/01/2010	



**INDUSTRIAL VALVES**  
MUMBAI - 64