

NOTE: DIFFERENT END CONNECTIONS AND MATERIAL GRADES OFFERED ON REQUEST.

DESIGN FEATURES :

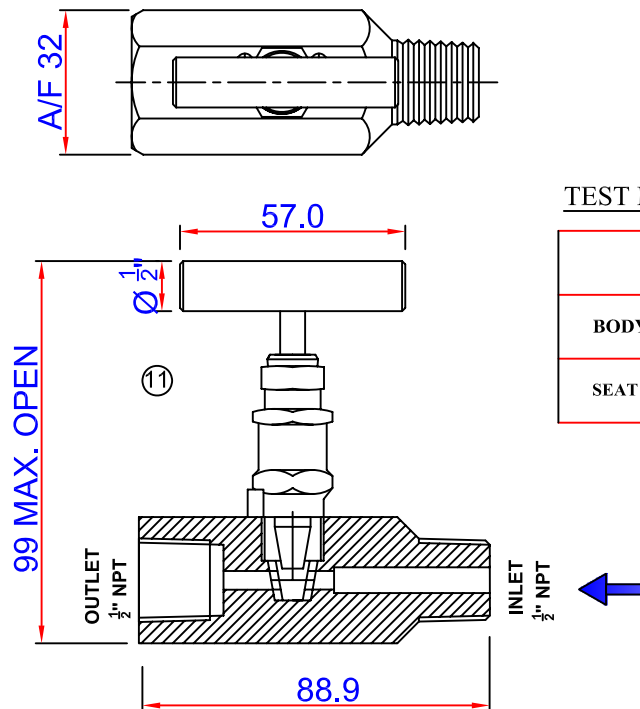
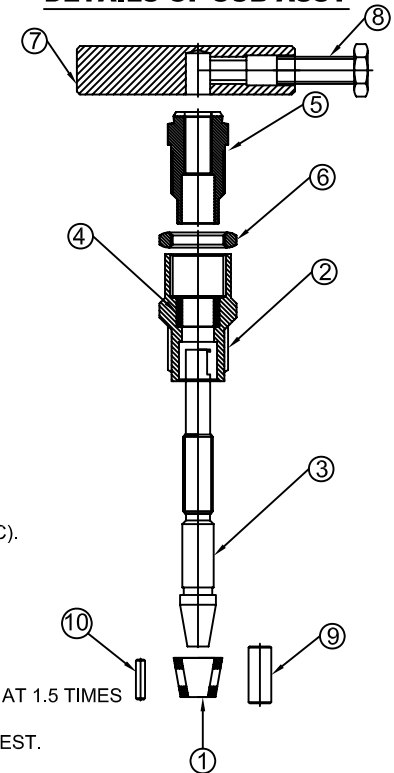
- STEM SEAL BELOW ACTUATING THREADS TO PREVENT CONTAMINATION, GAULING OF THREADS.
- METAL TO METAL BONNET SEAL FOR PRESSURE TIGHTNESS EVEN AT ELEVATED TEMPERATURES.

BONNET ASSEMBLY :

- SCREWED BONNET DESIGN.
- SPINDLE - GROUND & THREAD ROLLED.
- BONNET PUSHER - DULY MACHINED FOR SMOOTH STEM CYCLE.

BILL OF MATERIAL			
SR. NO.	DESCRIPTION	QTY	MATERIAL
1	DELTRIN BUSH	1	DELTRIN
2	BONNET	1	SS 316
3	SPINDLE	1	SS 316
4	GLAND PACKING	1	PTFE
5	GLAND NUT	1	SS 316
6	LOCK NUT	1	SS
7	HANDLE	1	SS
8	HANDLE BOLT	1	SS
9	DOWEL PIN	1	SS 316
10	DELTRIN PIN	1	SS
11	BODY	1	SS 316

DETAILS OF SUB ASSY



TEST PRESSURES:

	HYDRAULIC	PNEUMATIC (NITROGEN)
BODY	9000 PSI	1000 PSI
SEAT	6600 PSI	1000 PSI

FEATURES :

- WORKING PRESSURE : 6000 PSI
- TEMPERATURE RATING : PTFE 450° F (232° C).
- MATERIAL OF CONSTRUCTIONS : SS 316.
- STEM PACKING : PTFE.
- CHOICE OF PACKING MATERIALS FOR ELEVATED TEMPERATURES.
- ALL VALVES ARE 100% FACTORY TESTED.

TESTING :

- HYDROSTATIC SHELL TEST IS PERFORMED AT 1.5 TIMES THE WORKING PRESSURE.
- OPTIONAL TESTS ARE AVAILABLE ON REQUEST.

LUBRICATION :

- DYE MOLLY SULPHIDE.

CLEANING & PACKAGING :

- ALL COMPONENTS ARE ULTRASONICALLY CLEANED PRIOR TO ASSEMBLY & TESTING.

SIZE : 1/2" NPT

DELTRIN NEEDLE VALVE

	BY	DATE	DIMENSIONS ARE FOR REFERENCE ONLY & SUBJECT TO CHANGE
DRAWN	PRASHANT	14/08/2009	
CHD.	RD	14/08/2009	MODEL . NO :- IVI-DLN
APPRD.	RD	14/08/2009	



INDUSTRIAL VALVES
MUMBAI - 64