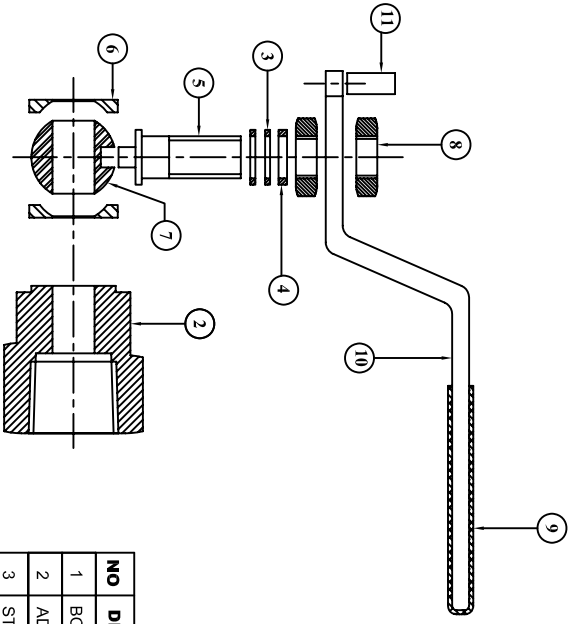
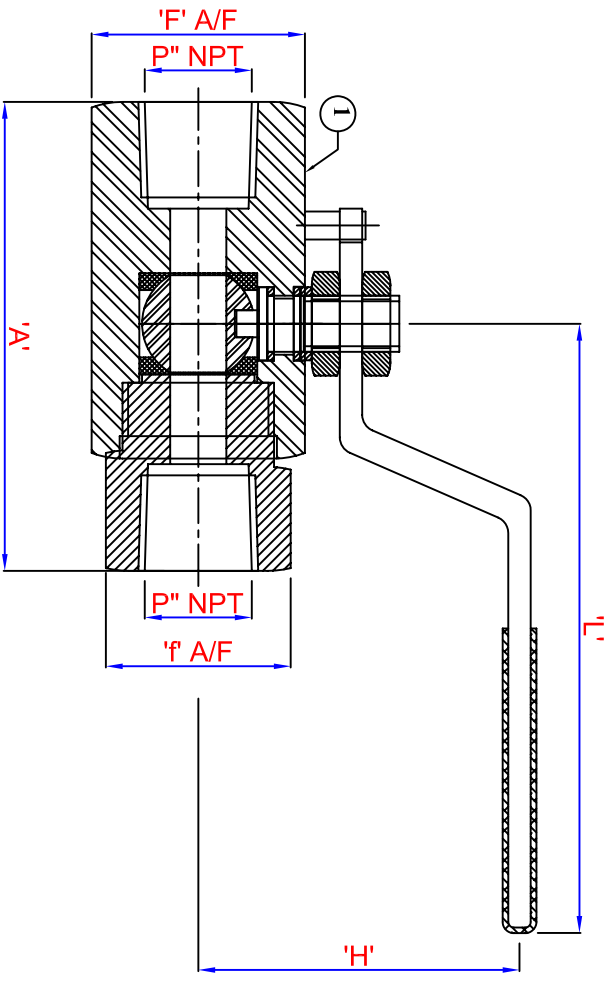


ORIFICE : ØE						
PART NOS.	A	F	f	L	H	Ød
WI - BV - 4	63.5	30	24	90	27	6.35
WI - BV - 6	63.5	30	24	90	27	9.5
WI - BV - 8	79	38	32	90	37	12.7
WI - BV - 10	84	45	38	115	40	19.1
WI - BV - 12	100	56	50	115	44	25



NO	DESCRIPTION	QTY	MATERIAL
1	BODY	1	SS 316
2	ADAPTER	1	SS 316
3	STEM PACKING	2	PTFE
4	STEM WASHER	1	SS 316
5	STEM	1	SS 316
6	BALL SEAL	2	PTFE
7	BALL	1	SS 316
8	HANDLE LOCK NUT	2	SS
9	HANDLE GRIP	1	PVC
10	HANDLE	1	SS
11	STOPPER PIN	1	SS

NOTES:-
 1. VALVE DESIGN AND CONSTRUCTION MEETS APPLICABLE REQUIREMENTS OF STANDARD BS-5381

2. NPT THREADS AS PER APPLICABLE - ANSI STD.
3. INSPECTION AND TESTING AS PER API-598, PNEUMATIC SEAT TEST WILL BE CARRIED OUT WITH NITROGEN GAS.
4. THESE VALVES HAVE FULL PORT OPENING, BUBBLE TIGHT SEAT AND BLOW-OUT PROOF STEM DESIGN.
5. DESIGN, DETAILS, DIMENSIONS AND DRAWING GIVEN HERE ARE OF REPRESENTATIVE NATURE, AND ARE SUBJECT TO MINOR CHANGES IF FOUND NECESSARY, WITHOUT NOTICE.
6. DIFFERENT END CONNECTIONS AND MATERIAL GRADES OFFERED ON REQUEST.

SIZE : 1/2" FNPT

BALL VALVE

DRAWN		DATE	
BY	PRASHANT	25/03/2010	
CHKD.	RD	25/03/2010	
APPRD.	RD	25/03/2010	

DIMENSIONS ARE FOR REFERENCE ONLY & SUBJECT TO CHANGE

MODEL:- IV-HEX-BV



INDUSTRIAL VALVES
 MUMBAI - 64